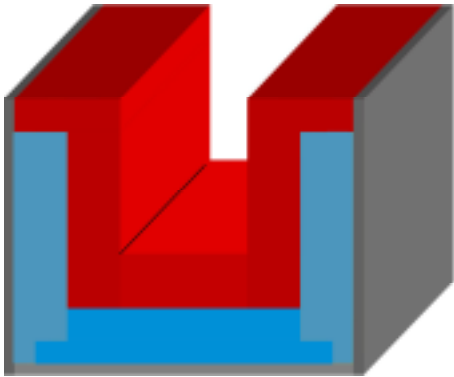


Application Guide

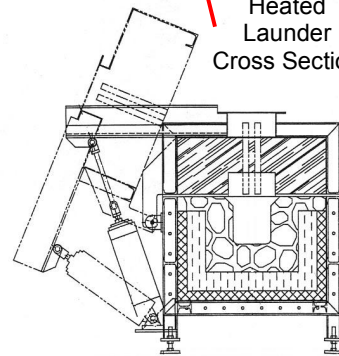
ALUMINUM TRANSFER - TROUGHS, LAUNDERS & LADLES



Troughs, Launder, & Heated Launder

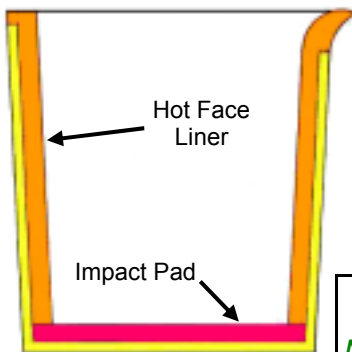


Heated Launder Cross Section



	Hot Face Liner	Insulation
Unheated <i>Normal Wear</i>	Plicast Al-Tuff TSR Plus KK Plicast Al-Tuff 36 ExoSet UNO M Plibrico 68 SA	Single Component Ceramic Fiber Board Calcium Silicate Block
High Wear	Plicast Al-Tuff 3100 Special Plicast Al-Shield 2765 V KK	Dual Component Plicast Al-Tuff LWI 20 Plisulate 1900
Heated	Plicast Al-Tuff 36 ExoSet UNO M	

Transfer Ladles



	Hot face Liner	Impact Pad
<i>Normal Wear</i>	Plicast Al-Tuff 36 Plicast Al-Tuff 3000 ExoSet UNO M Plibrico 68 SA	Plicast Al-Tuff 3100 Special
High Wear	Plicast Al-Tuff 3100 Special	Plicast Al-Shield 2765V KK

F.S. Sperry Co., Inc.

1907 Vanderhorn Drive
Memphis, TN. 38134

Tel: 901-373-9000
Fax: 901-385-3272

www.fssperry.com

This application guide is intended for general information only. Please consult Plibrico Company or your local Plibrico Representative for specific application assistance and product recommendations.